

PRODUCT NUMBER

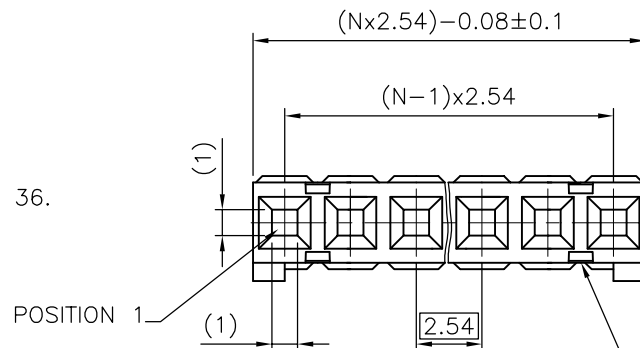
65240-0XXYLF

WHEN NEEDED, SUFFIX LETTER "LF"
INDICATES THE PRODUCT IS RoHS
COMPLIANT, SEE NOTE 6

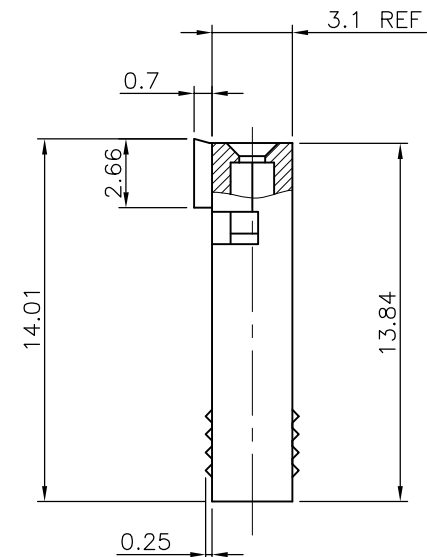
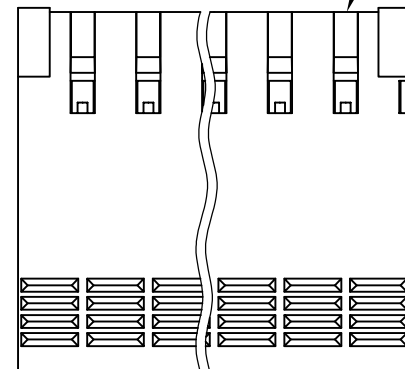
PACKAGING, NOTE 3

NUMBER OF CAVITIES PER ROW: 02 TO 36.

PLASTIC MATERIAL.



SEE NOTE 2



NOTES:

- 1 - HOUSING MAT'L: THERMOPLASTIC GLASS FILLED
FLAME RETARDANT PER UL 94 V-0 COLOR: BLUE.
- 2 - OVER DASH -007 ONLY FIRST AND
LAST THREE POSITIONS MUST HAVE
GROOVES ON TWO SIDES.
- 3 - PACKAGING :
= PACKAGING POLYBAGS
"V" = PACKAGING POLYBAGS FOR CUSTOMER DEDICATED PART

- 4 - TO DETERMINE DIMENSIONS:
N = NUMBER OF POSITIONS
EXAMPLE: 8 POS: (N \times 2.54)-0.08=20.24 mm.
- 5 - FOR TECHNICAL APPLICATION SEE TA317.
- 6 - RoHS COMPATIBLE PRODUCT SPECIFICATIONS

- a - LABELING:
- MEETS PACKAGING SPECS AS PER GS-14-920
- b - LEGAL STATEMENT: SEE GS-22-008

THE PRODUCT IS NOT INTENDED TO BE EXPOSED TO A
MANUFACTURING SOLDER PROCESS.

mat'l. code SEE NOTE		surface ISO 1302	tolerance ISO 406 ISO 101	projection mm	product family DUBOX
ltr	ecn no	dr	date	tolerances unless otherwise specified	title CtW HOUSING SR
P	F06-0146	DLE	06.03.10	angles linear	
R	F06-0225	DLE	06.07.07	±2'	
S	F07-0168	PNZ	07.04.02	scale 5:1	
T	F-27116	LMU	17.05.30	dr	G CORBOZ 01.01.05
U	F-31150	LMU	18.09.04	enr	P NIZZI 01.01.05
				chr	JF NOTTEAU 01.01.05
N	F05-0286	DLE	05.11.07	app	P NZ 01.01.05
sheet index	revision sheet				



dwg no 65240 sheet 1 of 1 size A3
type CUSTOMER Drawing